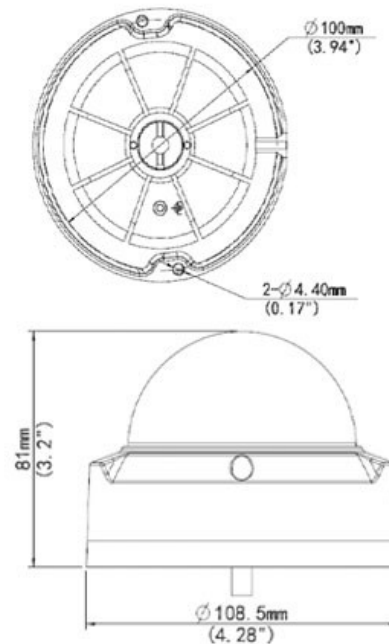


## CP-VNC-V41L3-VMD

4 MP WDR IR Vandal Dome Camera - 30Mtr.

INDIGO



### Main Features

- 1/3" 4MP PS CMOS Image Sensor
- Max: 20 fps@4MP(2592×1520) , Max: 25 fps@ 4MP(2560×1440)
- H.265, H.264, MJPEG Triple-stream encoding
- WDR(120dB), Day/Night (ICR), Corridor mode, 3D-DNR, ROI, AWB, AGC, BLC
- 2.8mm Lens ( 3.6mm , 6.0mm Optional)
- IR Range of 30 Mtrs, Micro SD, IP67, IK10, PoE
- Supports Instastream technology, save disk space and bandwidth upto 70%
- Mobile Software: Android, iOS
- CMS Software: IVMS



Instastream

CE FC RoHS COMPLIANT

\*Product casing and specifications are subject to change without prior notice

# CP- VNC-V41L3-VMD

## 4 MP WDR IR Vandal Dome Camera - 30Mtr.



### Feature

Image Sensor  
Minimum Illumination  
Shutter Speed  
White Balance  
Lens  
Gain Control (AGC)  
Video Compression  
S/N Ratio  
Video Streaming  
Resolution  
Frame Rate  
Privacy Mask  
ICR  
ROI  
Audio Input  
Audio Output  
Audio Compression  
Alarm IN  
Alarm Out  
WDR  
Protocol  
Smart Detection  
Ethernet  
IR  
OSD  
Micro SD  
Audio  
Operating Temperature  
Humidity

### Specification

1/3" 4MP Progressive scan CMOS  
Colour: 0.02 Lux (F2.0, AGC ON) 0 Lux with IR  
Auto/Manual, 1/6~1/100000 s  
Auto/Manual  
2.8mm Lens ( 3.6mm, 6.0mm Optional)  
Auto/Manual  
H.265, H.264, MJPEG  
>55dB  
Triple  
2592 × 1520  
Max: 20 fps@4MP (2592×1520) , Max: 25 fps@4MP (2560×1440) , Max: 30 fps@3MP (2048×1520) , Max: 30 fps@1080P (1920×1080)  
Up to 8 areas  
IR-cut filter with auto switch (ICR)  
Supports  
impedance 35 kΩ; amplitude 2 V [p-p]  
impedance 600 Ω; amplitude 2 V [p-p]  
G.711  
1 Ch. IN  
1 Ch. Out  
WDR (120dB)  
IPv4, IGMP, ICMP, ARP, TCP, UDP, L2TP, DHCP, PPPoE, RTP, RTSP, RTCP, DNS, DDNS, NTP, FTP, UPnP, HTTP, HTTPS, SMTP, SIP, 802.1x, ONVIF, API  
Intrusion, crossing line, Motion detection, Audio detection, Face detection, Defocus, Scene Change, People counting  
1 RJ45 10M/100M Base-TX Ethernet  
IR Range of 30 Mtr.  
Up to 8 OSDs  
Micro SD, Up to 128 GB  
Two-way audio Supported  
-35°C ~ +60°C (-31°F ~ 140°F)  
≤ 95% RH (non-condensing)



# CP- VNC-V41L3-VMD

4 MP WDR IR Vandal Dome Camera - 30Mtr.



## Feature

Power Source

Power Consumption

Weatherproof Standard

Dimension

Weight

## Specification

12 V DC, or PoE (IEEE802.3 af)

Max 5.5W

IP67 & IK10

Φ108.5 x 81 mm (Ø4.28" x 3.2")

0.45 kg